

# Maintenance Bypass Switch

## Quick Guide

V. 1.0

### 1. Introduction

The product is used as an external power distribution unit in conjunction with UPS systems or large-scale voltage regulators. It allows to manually transfer the connected equipment to utility power via a bypass switch, permitting scheduled maintenance or UPS replacement without power interruption. Combined power distribution feature and the master-controlled design, it provides maintenance bypass function and power saving within a compact mechanism.

### Wall Mount the Unit

The unit can be mounted to a wall surface. Please follow below steps:

1. Use tape to hold this page in place against the wall.
2. Use a sharp nail to puncture the center of the two holes to mark the wall. (see below chart 1)
3. Mount the unit by positioning the key-hole slots over the mounting nails. (see chart 2)

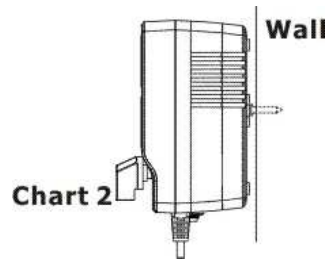
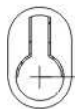


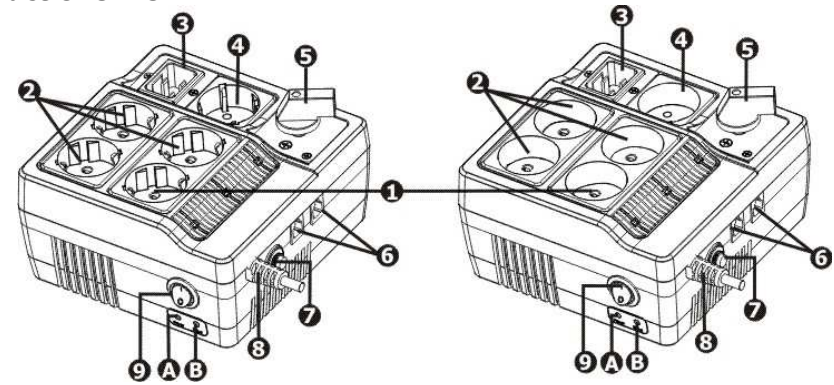
Chart 1



128 mm

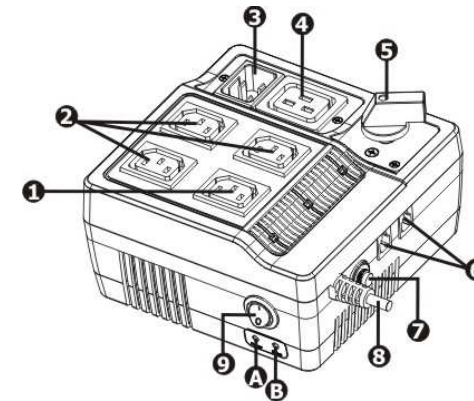


### 2. Product Overview



Schuko Type

French Type



IEC Type

- ① Master output receptacle  
(for connecting a computer)
- ② Slave output receptacles  
(for connecting peripherals)
- ③ Socket to UPS output
- ④ Socket to UPS input
- ⑤ Bypass switch

- ⑥ Modem/phone line surge protection
- ⑦ Circuit breaker
- ⑧ AC input
- ⑨ Function switch
- δ Power LED
- ε Master/Slave Function LED

### 3. Installation and Operation

#### Inspection

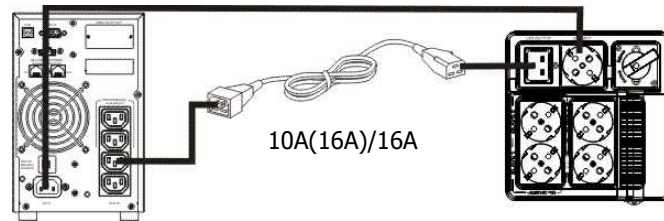
Remove the unit from the shipping package and inspect it for damage that may occurred during transportation. Notify the carrier and place of purchase if any damage is found.

#### Connect to the Wall Outlet

Plug the input power cord of the unit to the wall outlet. The Power LED will light up when the mains is normal. The Power LED will be off while power failure.

#### Connect UPS

Connect a power cord from UPS input to UPS input socket on the unit. Use provided power cord to connect UPS output to UPS output socket on the unit.



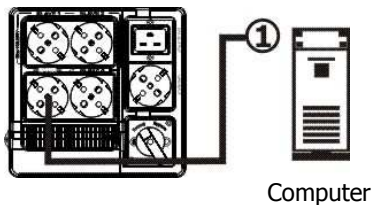
Online UPS

#### Connect Equipment

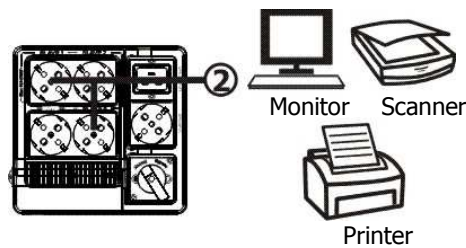
There are two types of output receptacles: Master, and Slave.

To save power consumption, the unit is equipped with Master and Slave output receptacles. The Master output receptacle will sense if master device (computer) is on. If the master device is no longer drawing current, it will automatically shut down the power to the Slave output receptacles. Please refer to below charts for detailed equipment connection.

#### Plug Computer into Master Output Receptacles



#### Plug Peripherals into Slave Output Receptacles



**NOTE:** When the computer is turned off, the Master output receptacle shuts off power to the slave output receptacles. However, when the computer goes into "sleep mode" or the power consumption of connected device to Master output receptacle is below 20 W, the Master output receptacle may not properly recognize the reduced power level.

#### Connect Modem/Phone Port for Surge Protection

Connect a single modem/phone line into surge-protected "IN" outlet on the unit. Connect from "OUT" outlet to the computer with phone line cable.

### 4. Operation

#### Transfer to Maintenance Bypass

Before transferring to maintenance bypass, make sure the Power LED is lighting. Transfer the rotary bypass switch from "Normal" to "Bypass". At this time, all connected devices are powered by the utility power directly. You may turn off the UPS and disconnect two cables connecting to UPS. Then you may now service the UPS.

#### Transfer to UPS Protection

After maintenance service is done, reconnect UPS to the unit by following Installation Section. Verify the Power LED is lighting. Then transfer the rotary bypass switch from "Bypass" to "Normal". Now, all connected devices are protected by UPS.

#### Master/Slave Function Operation

After connecting all devices to the unit, press "Function switch" to enable master/slave function. The Function LED will light up. Press "Function switch" to disable the function and the Function LED will be off.

#### Status & Indicator Table

Status	Indicator
Utility is normal	Power LED (Green) on
Utility fails	Power LED (Green) off
Master/Slave function is enabled	Master/Slave Function LED (Yellow) on
Master/Slave function is disabled	Master/Slave Function LED (Yellow) off

### 5. Important Safety Warning (SAVE THESE INSTRUCTIONS)

To safely operate this unit, please read and follow all instructions carefully. Read this manual thoroughly before attempting to unpack, install, or operate. You may keep this quick guide for further reference.

**CAUTION:** The product must be used indoor only.

**CAUTION:** Do not place the unit near liquid or in an excessively damp environment.

**CAUTION:** Do not place the product directly in the sun or near a hot source.

**CAUTION:** Do not let liquid or foreign objects enter the product.

**CAUTION:** Ground the product using a 2P + ground sockets.

**CAUTION:** When installing the product, ensure that the sum of the leakage currents of the product and the devices it supplies not exceed 3.5mA.